

4

3

2

1

THIS DRAWING IS UNPUBLISHED.

RELEASED FOR PUBLICATION

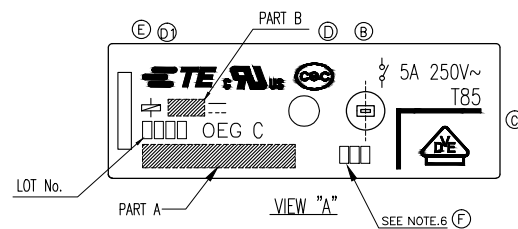
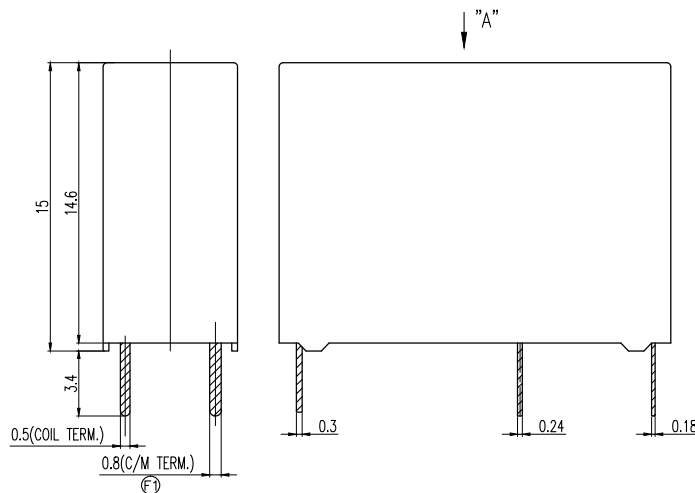
© COPYRIGHT -- By TE CONNECTIVITY

ALL RIGHTS RESERVED.

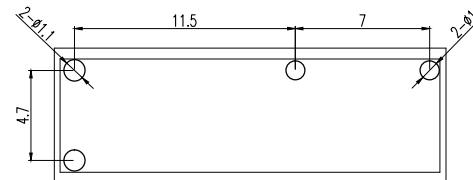
LOC
HBDIST
-

REVISIONS

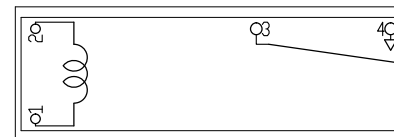
| P | LTR | DESCRIPTION | DATE | DWN | APVD |
|---|-----|--|---------------|-----------|---------|
| 1 | | CHANGE THE WIDTH OF THE PIN TERMINAL FROM 0.8MM TO 0.9MM | ECO-14-011875 | 19-AUG-14 | Q.L.B.F |



DRILLING DIAGRAM (BOTTOM VIEW)



CIRCUIT DIAGRAM (BOTTOM VIEW)



© NOTE:

1. LOT NO. SYSTEM AS FOLLOWING;

WEEK
YEAR

2. ONE CHARACTER DISTINGUISH THE LINE IDENTITY, SUCH AS: A, B...

3. TERMINAL DIMENSION IS BEFORE SOLDER DIP.

4. FOR THE TIN-PLATING OF THE PINS:

+0.1mm FOR WIDTH, THICKNESS AND DIAMETER.

+0.5mm FOR LENGTH.

5. MARKING FROM INK CHANGE TO LASER

6. ADD LOT NO. SYSTEM AS FOLLOWING;



I. DIGITS FOR DAY OF THE WEEK

1...MONDAY IN THIS WEEK;

2...TUESDAY IN THIS WEEK;

.....

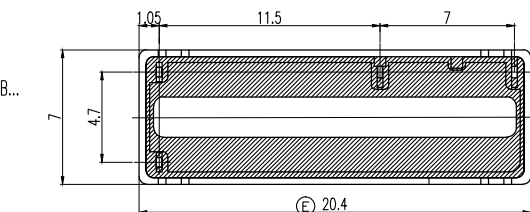
7...SUNDAY IN THIS WEEK

II. DIGITS FOR SHIFT OF THE DAY

1...DAY SHIFT IN THIS DAY;

2...NIGHT SHIFT IN THIS DAY;

III. ONE CHARACTER DISTINGUISH THE LINE IDENTITY, SUCH AS: A, B,Z



| Diagram dimension | Tolerance |
|-------------------|-----------|
| 0.99mm max. | ±0.1mm |
| 1 - 2.99mm | ±0.2mm |
| 3mm min. | ±0.3mm |

THIS DRAWING IS A CONTROLLED DOCUMENT.

DIMENSIONS:

mm



TOLERANCES UNLESS OTHERWISE SPECIFIED:

0 PLC ± -

1 PLC ± -

2 PLC ± -

3 PLC ± -

4 PLC ± -

RPLC ± -

ANGLES ± -

FINISH -

MATERIAL -

FINISH -

DWN

CHK

APVD

PRODUCT SPEC

APPLICATION SPEC

WEIGHT

CUSTOMER DRAWING

DWN

CHK

APVD

PRODUCT SPEC

APPLICATION SPEC

WEIGHT

CUSTOMER DRAWING

TE

TE Connectivity

NAME

PCJ-WG,000M SPEC

SIZE

CAGE CODE

DRAWING NO

RESTRICTED TO

A3

00779

C=1721547

-

SCALE

5:1

SHEET

1 OF 2

REV

F1

4

3

2

1

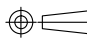
THIS DRAWING IS UNPUBLISHED. RELEASED FOR PUBLICATION
 © COPYRIGHT - By TE CONNECTIVITY ALL RIGHTS RESERVED.

| LOC | DIST | REVISIONS | | | |
|-----|------|-------------|------|-----|------|
| P | LTR | DESCRIPTION | DATE | DWN | APVD |
| HB | - | SEE SHEET 1 | - | - | - |

| | | | | | |
|-----|----------------------|-------------|--|--------|----------------|
| N | PCJ-12403MH-WG, 000M | 1-1721547-4 | SEAL UP INSPECTION ON EVERY PRODUCT | 24V | PCJ-12403MH-WG |
| M | PCJ-11803MH-WG, 000M | 1-1721547-3 | SEAL UP INSPECTION ON EVERY PRODUCT | 18V | PCJ-11803MH-WG |
| L | PCJ-11203MH-WG, 000M | 1-1721547-2 | SEAL UP INSPECTION ON EVERY PRODUCT | 12V | PCJ-11203MH-WG |
| K | PCJ-10803MH-WG, 000M | 1-1721547-1 | SEAL UP INSPECTION ON EVERY PRODUCT | 9V | PCJ-10803MH-WG |
| J | PCJ-10603MH-WG, 000M | 1-1721547-0 | SEAL UP INSPECTION ON EVERY PRODUCT | 6V | PCJ-10603MH-WG |
| I | PCJ-10503MH-WG, 000M | 1721547-9 | SEAL UP INSPECTION ON EVERY PRODUCT | 5V | PCJ-10503MH-WG |
| H | PCJ-10303MH-WG, 000M | 1721547-8 | SEAL UP INSPECTION ON EVERY PRODUCT | 3V | PCJ-10303MH-WG |
| G | PCJ-12403M-WG, 000M | 1721547-7 | SEAL UP INSPECTION ON EVERY PRODUCT | 24V | PCJ-12403M-WG |
| F | PCJ-11803M-WG, 000M | 1721547-6 | SEAL UP INSPECTION ON EVERY PRODUCT | 18V | PCJ-11803M-WG |
| E | PCJ-11203M-WG, 000M | 1721547-5 | SEAL UP INSPECTION ON EVERY PRODUCT | 12V | PCJ-11203M-WG |
| D | PCJ-10803M-WG, 000M | 1721547-4 | SEAL UP INSPECTION ON EVERY PRODUCT | 9V | PCJ-10803M-WG |
| C | PCJ-10603M-WG, 000M | 1721547-3 | SEAL UP INSPECTION ON EVERY PRODUCT | 6V | PCJ-10603M-WG |
| B | PCJ-10503M-WG, 000M | 1721547-2 | SEAL UP INSPECTION ON EVERY PRODUCT | 5V | PCJ-10503M-WG |
| A | PCJ-10303M-WG, 000M | 1721547-1 | SEAL UP INSPECTION ON EVERY PRODUCT | 3V | PCJ-10303M-WG |
| No. | DESCRIPTION | TE PART NO | DESCRIPTION | PART B | PART A |

RELAY TYPE

| | | | | |
|----------------|------------|--------------------------------|-------------|-----|
| | Sn-Ag-Cu | SOLDER | 18 | |
| 94V-0 | PA | ⊕ CASE | 17 | |
| | UV | SEAL(CASE) JUST FOR WASH TIGHT | 16 | |
| | EPOXY | SEAL(CASE AND BASE) | 15 | |
| | SUEW | MAGNETIC WIRE | 14 | |
| 94V-0 | PBT | CARD | 13 | |
| | Ag ALLOY | STATIONARY CONTACT | 12 | |
| | Cu ALLOY | STATIONARY TERMINAL | 11 | |
| | Ag ALLOY | MOVABLE CONTACT | 10 | |
| | SOLDER DIP | Cu ALLOY MOVABLE SPRING | 9 | |
| 94V-0 | PET | ⊕ BASE | 8 | |
| | STAINLESS | HINGE SPRING | 7 | |
| | NIP | STEEL ARMATURE | 6 | |
| | NIP | STEEL CORE | 5 | |
| | NIP | STEEL YOKE | 4 | |
| | SOLDER DIP | Cu ALLOY COIL TERMINAL B | 3 | |
| | SOLDER DIP | Cu ALLOY COIL TERMINAL A | 2 | |
| 94V-0 | PBT | BOBBIN | 1 | |
| COMBUSTIBILITY | TREATMENT | MATERIAL | DESCRIPTION | TEM |

| | | | | |
|---|--|----------------------------------|------------------|------------|
| THIS DRAWING IS A CONTROLLED DOCUMENT. | | DWN | TE Connectivity | |
| DIMENSIONS: mm | | CHK | NAME | |
|  | | APVD | PCJ-WG,000M SPEC | |
| TOLERANCES UNLESS OTHERWISE SPECIFIED: | | PRODUCT SPEC | SIZE | |
| 0 PLC ± - | | APPLICATION SPEC | CAGE CODE | DRAWING NO |
| 1 PLC ± - | | WEIGHT | A3 | 00779 |
| 2 PLC ± - | | CUSTOMER DRAWING | SCALE | 5:1 |
| 3 PLC ± - | | RESTRICTED TO | SHEET | 2 OF 2 |
| 4 PLC ± - | | REV | REV | F1 |
| ANGLES ± - | | DRAWING NO: 1721547 | | |
| FINISH | | SCALE: 5:1 SHEET: 2 OF 2 REV: F1 | | |